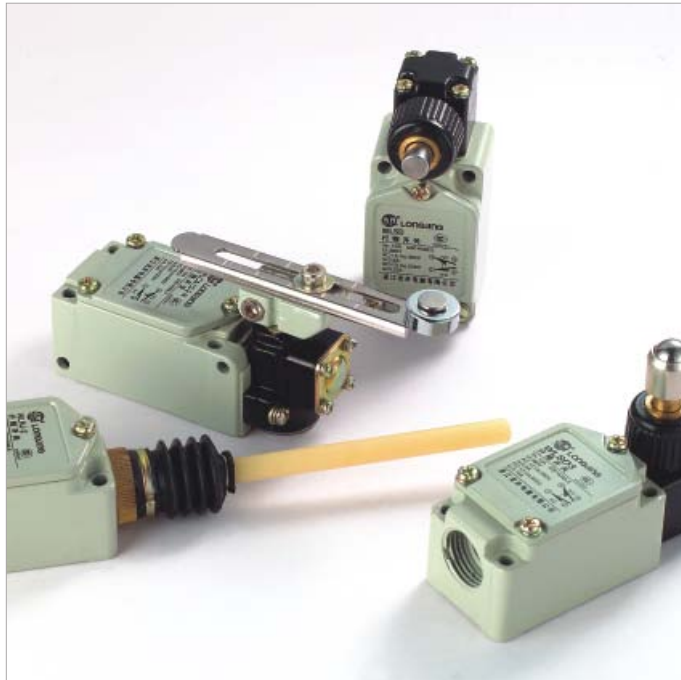
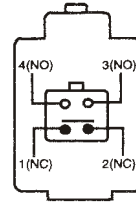


WL Limit Switch 行程开关



接触形式 Contact type

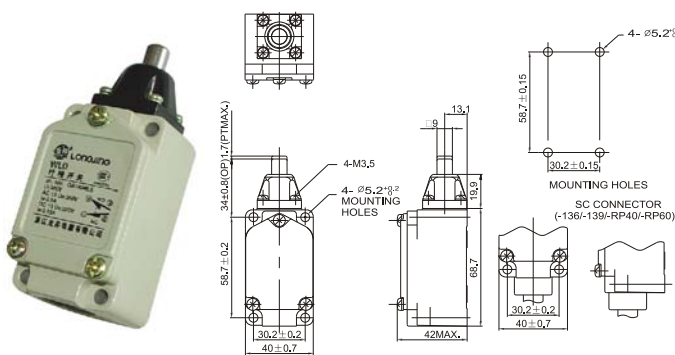


负荷 load	AC 250V 10A AC 380V 10A DC 125V 5A AC 250V 5A
使用温度 ambient operating temperature	-10~+80°C
使用湿度 humidity	< 95%RH

外壳结构 cover struction	特种合金金属材料 special alloying metal	
防护等级 Protection degree	IP67	
寿命 life	机械的 mechanical	1,500次 time
	电气的 electrical	75万次 seven hundred fifty thousand times
操作速度 operation speed	1mm~1m/s	
操作频率 operation frequency	机械的 mechanical	120次/分 (times/m)
	电气的 electrical	30次/分 (times/m)
绝缘电阻 Insulation resistance	100MΩ 以上 DC 500V	
接触电阻 contact resistance	25mΩ 以下 (初期值 Initial value)	
耐电压 voltage withstand (50/60Hz 1分钟)	同极端子间 Between the terminals of same pole	AC 1,000V(600V)
	充电金属部间 Between charged metal parts	AC 2,200V(1,500V)
	各端子非充电金属部间 Between non-charged metal parts of each terminal	AC 2,200V(1,500V)
振动 vibration	误动作 misoperation	10~55Hz 复振幅 (amplitude) 1.5mm

形式 mode 动作特性 operation speciality	WLCA2 WL01CA2 WLACA2	WLCA2-7 WL01CA2-7 WLACA2-7	WLCA2-8 WL01CA2-8 WLACA2-8	WLPCA2 WL01PCA2 WLAPCA2	WLCA2-31 WL01CA2-31 WLACA2-31	WLCA12 WL01CA12 WLACA12	WLGCA2 WL01GCA2 WLAGCA12	WLCL WL01CL WLACL	WLCA32-41-43 WL01CA32-41-43 WLACA32-41-43
OF 最大(max)	1360g	1040g	820g	1360g	1360g	1360g	1360g	142g	1220g
RF 最小(min)	227g	170g	137g	227g	227g	227g	150g	28g	-
PT	15 ± 5°	15 ± 5°	15 ± 5°	15 ± 5°	15 ± 5°	15 ± 5°	5	15 ± 5°	50 ± 5°
OT 最小(min)	30°	30°	30°	30°	30°	30°	40°	30°	35°
MD 最大(max)	12°	12°	12°	12°	12°	12°	3°	12°	-

WLD



WLD2

